

BS-360

BS-360 Series

Compact and cost-effective

Omni-Directional Laser Scanner

A Valued as the Desirable Laser Scanner for Your Business



Special features

- ✓ 24 lights, 2000 scans, 6 directions
- ✓ Supports up to 300mm scanning distance
- ✓ Desk-top and cubic design
- ✓ User friendly and replaceable cable for different interface
- ✓ Adjustable Sleep mode

Ordering Information:

- BS-360M: Omni-directional laser, 24-light, 2000 scan, PS2
- BS-360R: Omni-directional laser, 24-light, 2000 scan, RS232 with power adapter
- BS-360U: Omni-directional laser, 24-light, 2000 scan, USB

1. Flexibility and Connectivity

BS360 is a lower-power consumption laser scanner and built-in the advanced technology and components, which supports the individual interface among KBE, RS232, USB and power USB at the same cost. It is interface cable changeable.

2. Compact and small foot print base

BS360 is bundled with our design stand for hand free operation at the space-concerned working environment. BS360 actually can be for Kiosk, any type application of mounting just by removing the stand.

3. Strong Scan Capability

The unique design of scan pattern on BS360 provides with high scan performance for most of 1D barcode symbologies and advanced GS1 Databar codes.

Built-in special program called as Star on our decoder which can discriminate the poor-printing or fragmented barcode code.

4. Laser safety

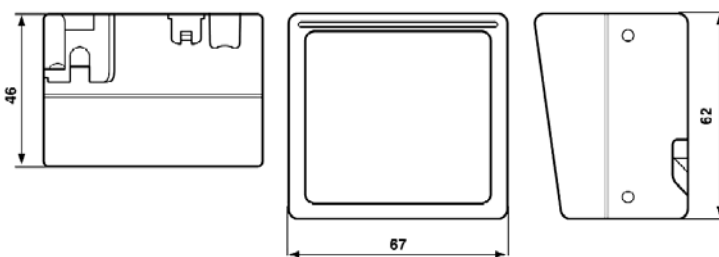
BS360 complies with safety standards IEC825-1(1993) for a Class I laser product. It also complies with US 21CFR1040 as applicable to a Class IIa laser product.



Technical Specifications

Model	BS-360 series
Optical	
Light Source	650 nm visible laser diode
Scan Pattern	24 lines, 6 directions
Scanning Speed	2,000 scans/sec
Depth of Field	300 mm @ 13mil PCS 90%
Ambient Light	4,800 Lux Max. @ Direct sun light
Reading Performance	
Symbologies	EAN/UPC A/ UPC E/JAN + Add-on, ISBN, ISSN, Code 128, EAN 128, Code 93, Code 39, Code 32, Codabar, Interleaved 2 of 5, MSI-Plessey, fully RSS, GS1 DataBar compliance (symbol 1-9)
Resolution	5mil @ 0.9 PCS EAN13
PCS	30% @ EAN13
Electrical	
Interface	PS2, RS232, USB
Connector	RJ-48, 10 pins

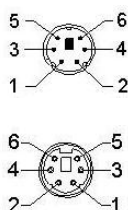
Input Voltage	+5V DC
Operating Current	250mA
Cable Length	2M straight
Beeper	7 tones or no Beep
Environment	
Operating Temperature	0°C ~ 40°C
Storage Temperature	-20°C ~ 60°C
Relative Humidity	20% to 95% (Non-condensing)
Physical	
Material	ABS Plastic
Weight	130g (without stand)
Dimension	46 (L) x 62(W) x 67(H)mm
Mounting Hole	3-M3X0.5



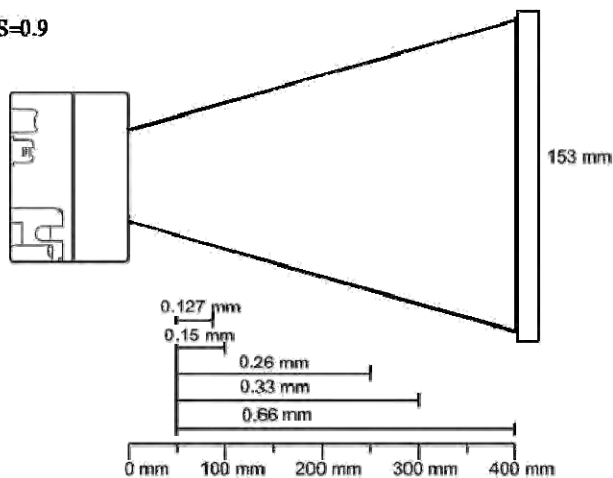
PIN ASSIGNMENTS

Keyboard interface

Mini DIN 6 MALE		Mini DIN 6 FEMAL	
Pin No.	Function	Pin No.	Function
1	HOST DATA	1	KB DATA
3	GND	3	GND
4	Vcc (+5V)	4	Vcc (+5V)
5	HOST CLK	5	KB CLK



PCS=0.9

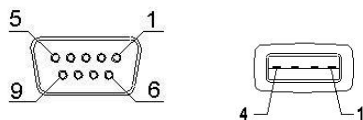


RS-232 interface

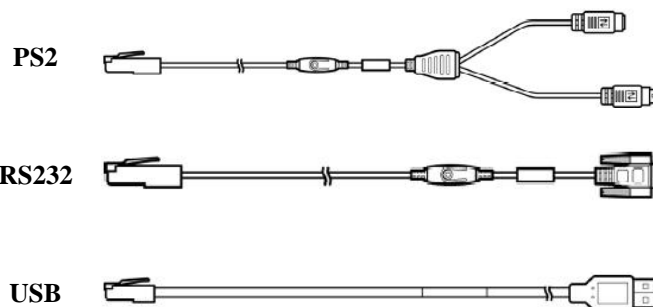
DB 9 Female	
Pin No.	Function
2	RXD
3	TXD
5	GND
7	RTS
8	CTS
9	VCC (+5V)

USB interface

USB Male	
Pin No.	Function
1	Vcc (+5V)
2	DATA-
3	DATA+
4	GND



Interface Cable



Birch is a trademark of Birch Technology U.S.A. Inc
 All other products, brands or companies are trademarks or registered trademarks of their respective companies.
 Specifications are subject to change without prior notice

Contact us for details